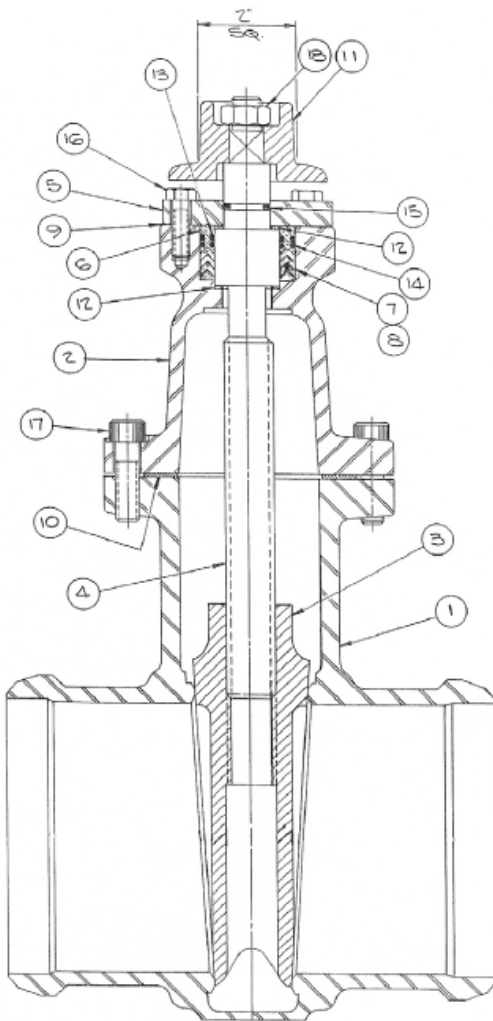


Kerotest Model 1 Gate Valve

Materials of Construction



Materials of Construction

Item Number	Part	Qty.	Material
1	Body	1	Cast steel, ASTM A216, GR. WCB
2	Cover	1	Cast steel, ASTM A216, GR. WCB
3	Wedge	1	Cast iron, ASTM A126, Class B
4	Stem	1	Stainless steel, ASTM A581 or A582, Type 416
5	Gland	1	Lead carbon steel, AISI, GR. 11L17
6	Packing adapter	1	Brass, ASTM B16, UNS NO. C36000
7	Packing set	1	Buna-N™
8	Packing shim	2	Compressed fiber
9	Gland gasket	1	Compressed fiber
10	Cover gasket	1	Corrugated steel
11	Operating square	1	Cast ductile iron, ASTM A536, GR. 65-45-12
12	Thrust washer	2	Brass, SAE 706
13	O-Ring	2	Buna-N
14	O-Ring	2	Buna-N
15	O-Ring	1	Buna-N
16	Hex. head cap screw	①	Steel, SAE GR. 5
17	Hex. socket head cap screw	①	Steel, ASTM A574
18	Hex. nut	1	Steel, zinc-plated
19	Drive screw	4	Stainless steel
20	Rating tag	1	18-8 Stainless steel
21	Nameplate	1	18-8 Stainless steel

① Quantity varies based on size.

All product names referenced herein are trademarks of their respective companies.



Kerotest Manufacturing Corp.
 5500 Second Avenue • Pittsburgh, PA 15207
 412.521.7263 • Fax: 412.521.5990
 www.Kerotest.com • Sales@Kerotest.com