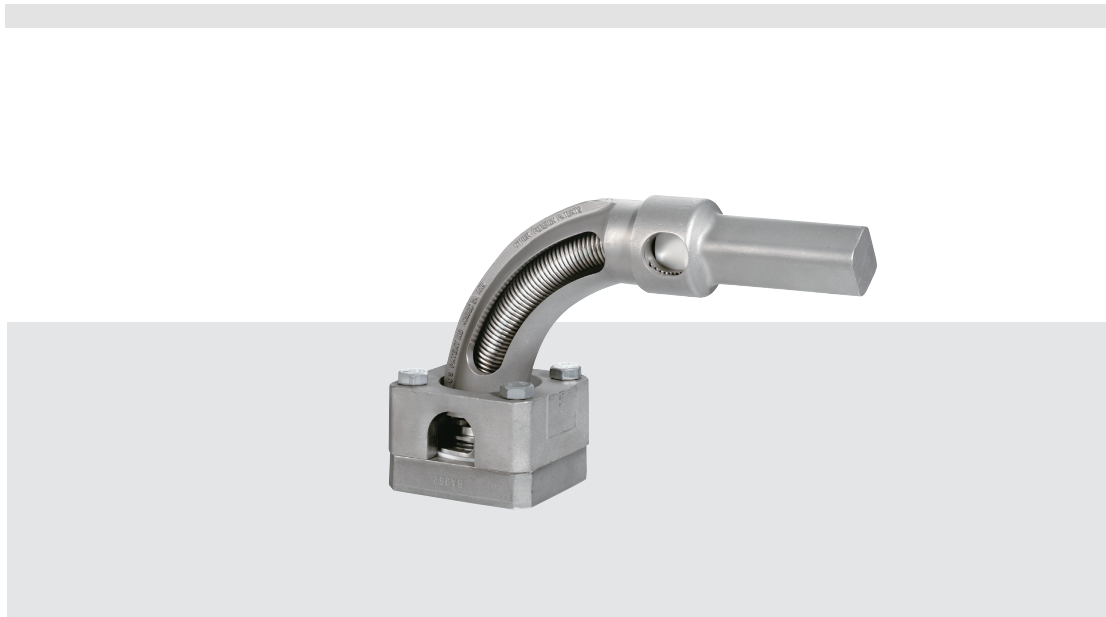


# Kerotest Hermetic Bellows Stem Seal



## Product Brief

The Kerotest Hermetic Bellows Stem Seal (HSS) is a unique method of eliminating the familiar valve stem leakage problem on quarter-turn valves. The Kerotest HSS uses a metal bellows around the stem instead of standard seals or packing.

The zero leakage feature greatly reduces valve maintenance, eliminating the need for costly repair parts, as well as labor and additional repair to the nearby equipment and machinery that is damaged by the leak. More importantly, process and plant downtime is reduced and the safety problems associated with leakage and maintenance on critical service components are eliminated.

The HSS is easily adapted to most rotating, non-rising stem valves, including plug, ball and butterfly, and can be used in 360-degree or quarter-turn applications.

## Features/Benefits

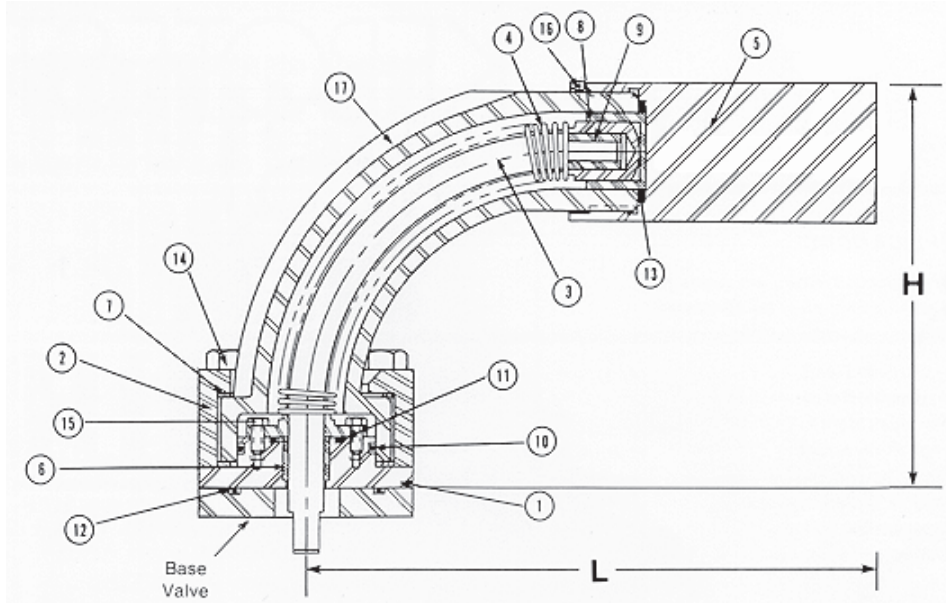
- **Size (inches):** 0.5, 0.75, 1, 2, 3, 4.
- **Pressure classes:** ANSI 150 and 300.
- **End connections:** Flanged and buttweld.
- **Applications:** Hazardous fluids, expensive gases, noxious odors, high purity gases, high vacuum service, double walled systems, inaccessible piping and carcinogens.
- **Materials of construction—**
  - Carbon steel: ASTM A126 GR WCB carbon steel body with 316 stainless steel ball and seat rings, PTFE seat, stem seal and gasket.
  - Stainless steel: 316 stainless steel body with 316 stainless steel ball and seat rings, PTFE seat, stem seal and gasket.



An Employee-Owned Company

# Kerotest Hermetic Bellows Stem Seal

## Specifications (Standard Design)



Item	Part	Material
1	Bonnet	SS, ASTM A351, GR CF8M
2	Cover	SS, ASTM A351, GR, CF8
3	Stem	SS, Teflon Covered, ASTM A564, GR 630
4	Bellows Assembly	SS, ASTM A240 Type 316
5	Handle	SS, ASTM A276 Type 316
6	Bearing	10% Glass Filled PTFE
7	Bearing	10% Glass Filled PTFE
8	Bearing	10% Glass Filled PTFE
9	Bearing	10% Glass Filled PTFE
10	O-Ring	Viton
11	O-Ring	Viton
12	O-Ring	Viton
13	Gasket	10% Glass Filled PTFE
14	Hex Head Cap Screw	Alloy Steel, ASTM A193 Grade B7
15	Hex Head Machine Screw	SS, Type 304
16	Set Screw	18-8 SS
17	Housing	SS, ASTM A351, GR, CF8M

Parts exposed to the live fluid, excluding O-Rings, are the Bonnet (1), Stem (3) and Bellows Assembly (4). Optional materials are as follows:

Optional Material	Inconel	Monel
Bonnet	Inconel 625	Monel 400
Stem	Inconel 625	K-Monel
Bellows	Inconel 625	Monel 400

All product names referenced herein are trademarks of their respective companies.



**Kerotest Manufacturing Corp.**  
 5500 Second Avenue • Pittsburgh, PA 15207  
 412.521.7688 • Fax: 412.521.5990  
 www.Kerotest.com • Sales@Kerotest.com